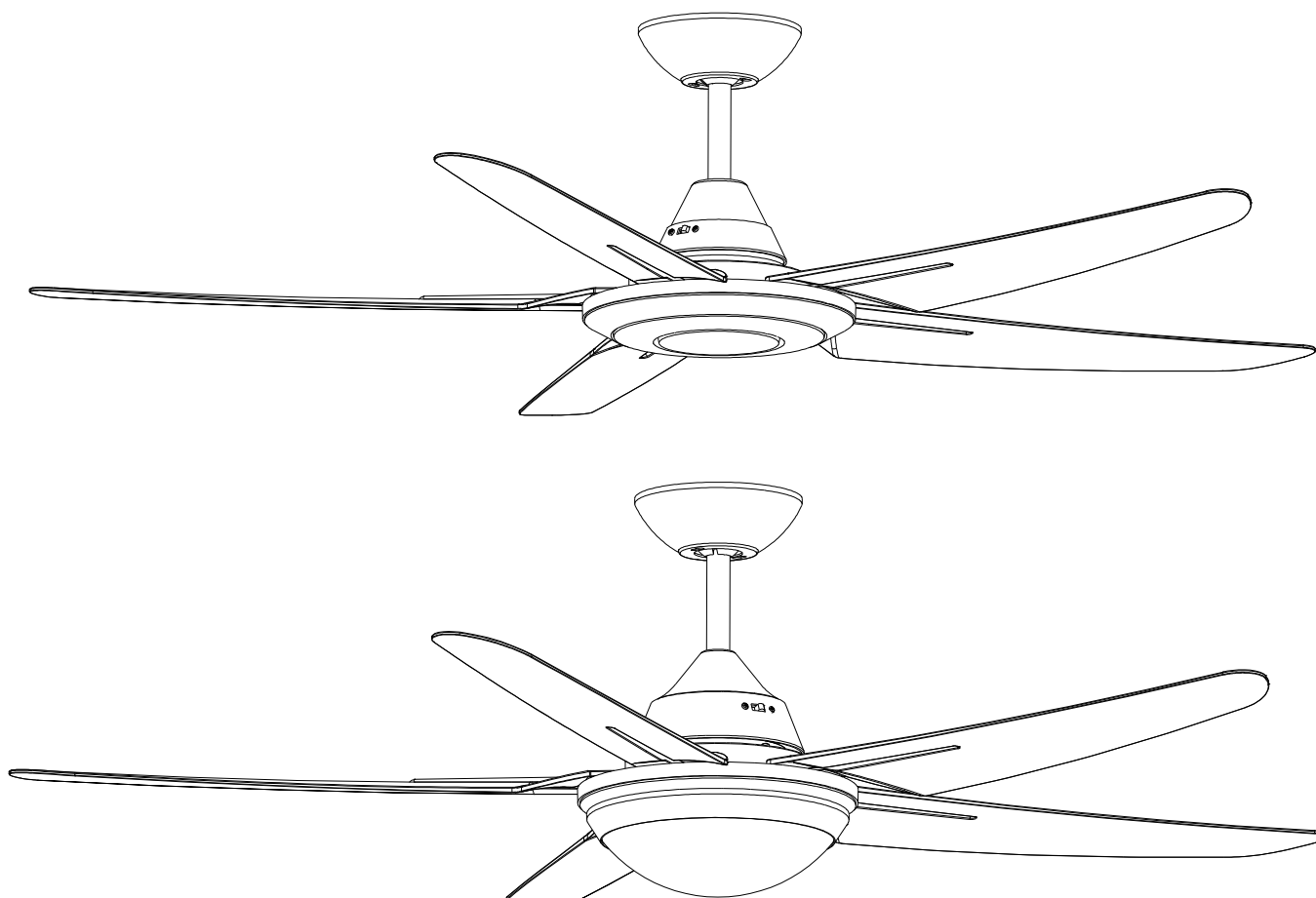


INSTRUCTION MANUAL



Innovate The Future



(Fan pictured is for illustration purposes only.
Styles may vary according to the specific models.)

Ceiling Fan Installation Manual, Rev 2.1

RANDLE series

Models: DKA210340, DKA210342, DKA210495 & DKA210496.

CAUTION

Read Instruction Carefully
For Safe Installation and
Fan Operation

- INSTALLATION
- OPERATION
- MAINTENANCE
- WARRANTY INFORMATION



**MUST BE INSTALLED
BY A LICENSED ELECTRICIAN**

Thank you for purchasing this quality Deka ceiling fan. To ensure correct function and safety, please read all instructions before using the product and keep all instructions for future reference.

SAFETY PRECAUTIONS

1. In Australia, the appliance is not intended for use by persons (including children) with reduced physical, sensory or mental capabilities, or lack of experience and knowledge, unless they have been given supervision or instruction concerning the use of the appliance by a person responsible for their safety.
2. Children should be supervised to ensure that they do not play with the appliance.
3. An all-pole disconnection switch must be incorporated into the fixed wiring, in accordance with local wiring rules.

WARNING: FOR SAFE USE OF THIS FAN AN ALL-POLE DISCONNECTION MUST BE INCORPORATED INTO THE FIXED WIRING IN ACCORDANCE WITH THE WIRING RULES.

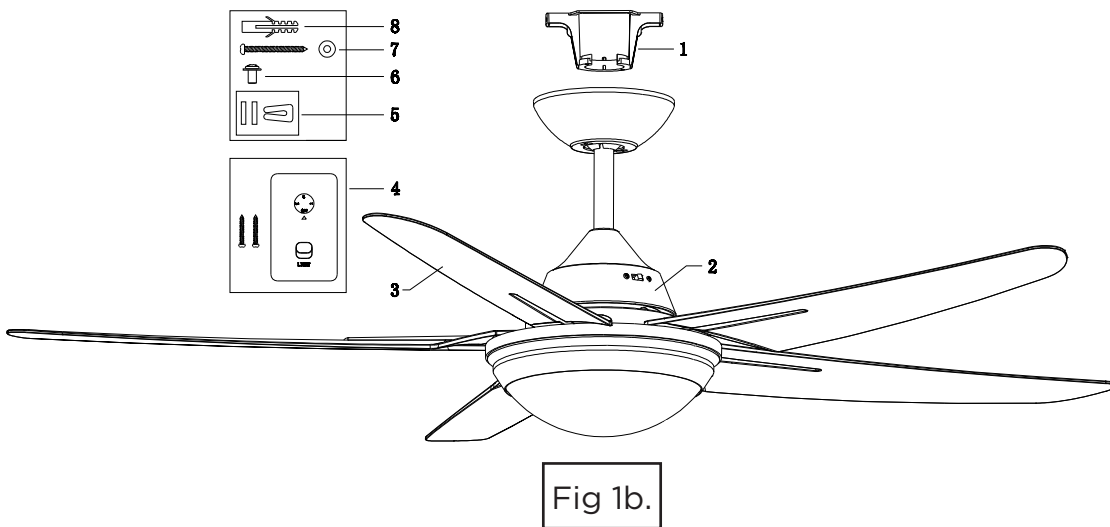
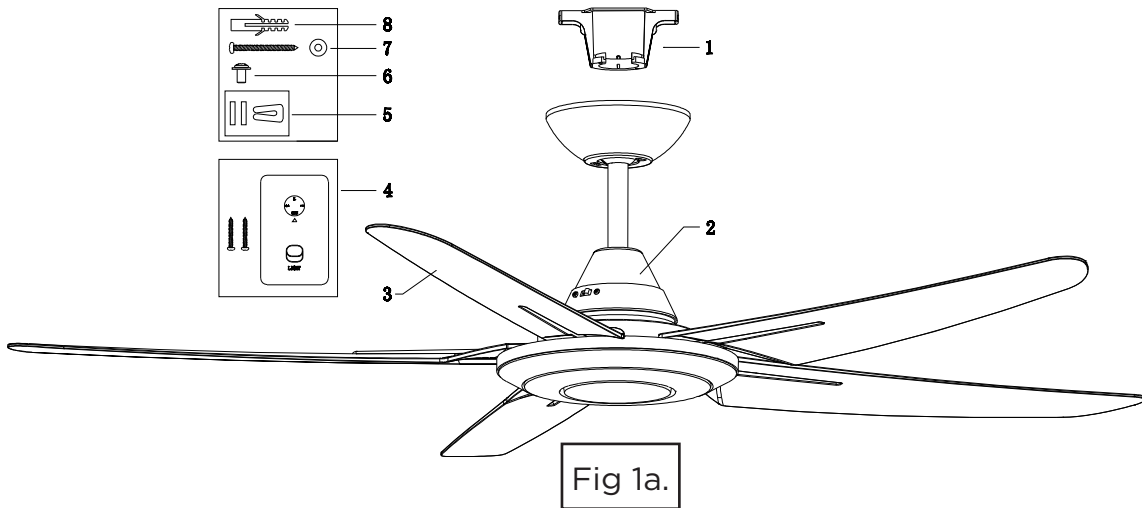
As outlined in clause 7.12.2 of AS/NZS 60335-1 for meeting the minimum electrical safety of this standard. Please note warranty will be void if installation is without an all-pole disconnection incorporated in the fixed wiring in accordance with the wiring rules. Example: If a fan is connected to a circuit that can be isolated via an all-pole safety switch at the switchboard, then this is considered to be an all-pole disconnection to the ceiling fan electrical circuit, meeting the requirements of clause 7.12.2 of AS/NZS 60335.1.

If installing with a remote control, a single-pole switch on the active of the receiver input of remote control must also be included in the wiring, and located in the same room as the ceiling fan.

4. Do not dispose of electrical appliances as unsorted municipal waste, use separate collection facilities. Contact your local government for information regarding the collection systems available. If electrical appliances are disposed of in landfills or dumps, hazardous substances can leak into the ground water and get into the food chain, damaging your health and well-being.
5. The structure to which the fan is to be mounted must be capable of supporting a weight of 30kg.
6. The fan should be mounted so that the blades are at least 2.1m above the floor in Australia.
7. The fan is suitable for indoor and coastal areas provided the fan is fully undercover.
8. Only a licensed electrician/contractor should perform installation of this product.
9. **WARNING:** If unusual wobbling or oscillating movement is observed, immediately stop using the ceiling fan and contact the installing electrician/contractor or warranty provider as listed in this rear of this document.
10. The replacement of any parts should be performed by a licensed electrician/contractor, the warranty providers agents, or suitably qualified persons.
11. The fixing means for the attachment of the mounting bracket (as supplied) or other devices to the ceiling shall be fixed with a sufficient strength to withstand 4 times the weight of the ceiling fan.

BEFORE INSTALLATION

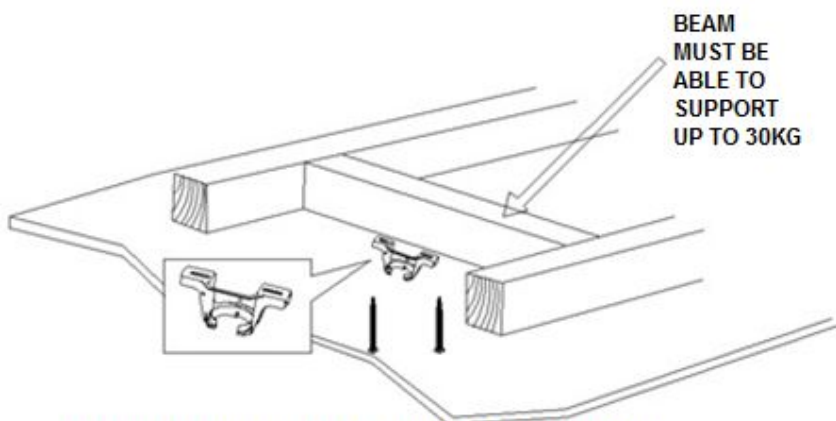
Unpack the fan and carefully identify the parts. Please refer to Fig 1.



	FAN WITHOUT LIGHT (Fig 1a.)	FAN WITH LED LIGHT (Fig 1b.)
1.	Mounting bracket x 1	1. Mounting bracket x 1
2.	Pre-assembled fan motor, down rod, canopy and bottom cover x 1	2. Pre-assembled fan motor, down rod, canopy , bottom cover & light kit x 1
3.	Blades x 5	3. Blades x 5
4.	Wall switch x 1 set	4. Wall switch x 1 set
5.	Balancing kit x 1 set	5. Balancing kit x 1 set
6.	Blade screws x 11	6. Blade screws x 11
7.	Mounting bracket screws x 2 (timber use only)	7. Mounting bracket screws x 2 (timber use only)
8.	Plastic anchors x 2	8. Plastic anchors x 2

INSTALLING THE MOUNTING BRACKET

- The ceiling fan must be installed in a location so that the blades are a minimum 300mm spacing from the tip of the blade to the nearest objects or walls (Including bulkheads and beams).
- Secure the hanging bracket to the ceiling joist or structure that is capable of carrying a load of at least 30kg, with the two long screws provided. Ensure at least 30mm of the screw is threaded into the support.

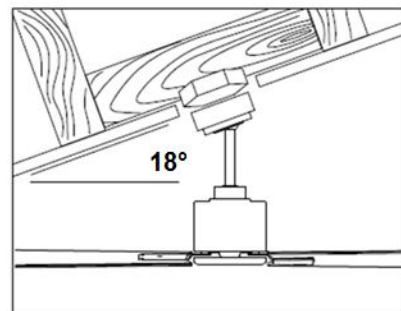


NOTE: THIS PICTURE IS FOR REPRESENTATION ONLY AND DOES NOT REPRESENT THE ACTUAL BRACKET

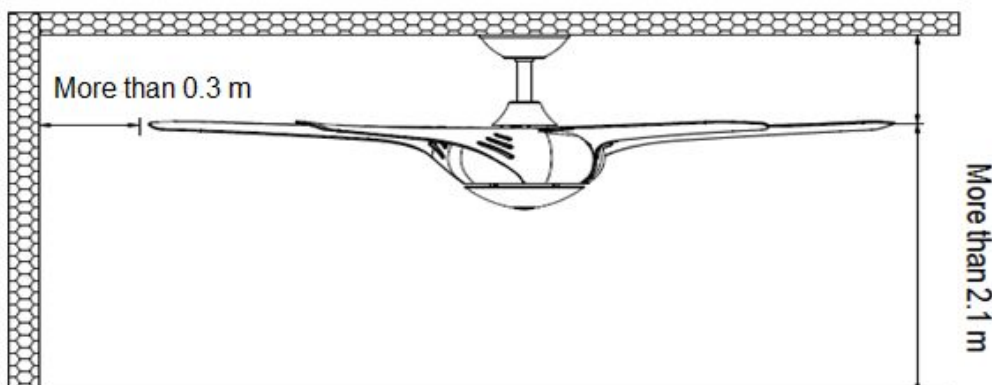
Note: The bracket screws provided are for use with wooden structures only. For structures other than wood, the appropriate screw type MUST be used.

Angled Ceiling Installation

This fan hanging system supports a maximum 18-degree angled ceiling installation.



Warning: Ceiling fan must be mounted so that blades are 2.1m from the floor and 300mm from the wall and other obstructions to the blade tip.

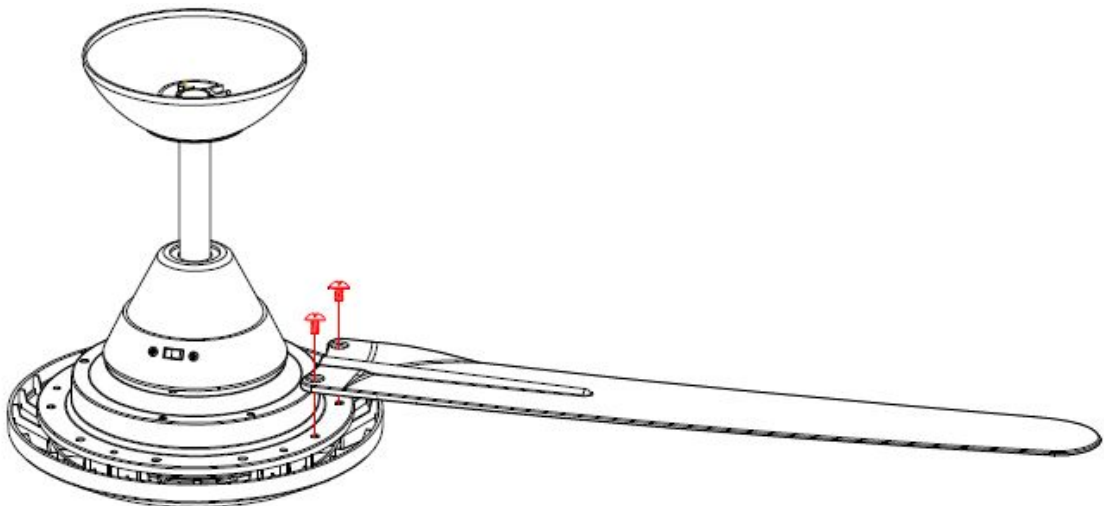


BLADE INSTALLATION

BLADE ATTACHMENT

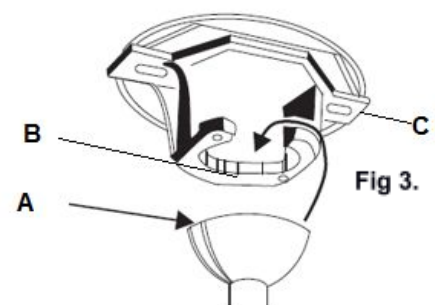
Secure the blade on the fan by using 2 blade screws (Fig 2.). For each blade, insert one blade mounting screw through the blade, and attach lightly to the fan. Insert the second blade mounting screw, and then securely tighten both mounting screws. Repeat for all blades. **Do not use power tools as this can cause damage to the screws and/or thread in the motor.**

Fig 2.



HANGING THE FAN

Lift the fan assembly onto the mounting bracket. Ensure slot (A) of the hanging ball joint is positioned on notch (B) of the mounting bracket (C) to prevent the fan from rotating when in operation. (Fig 3.)



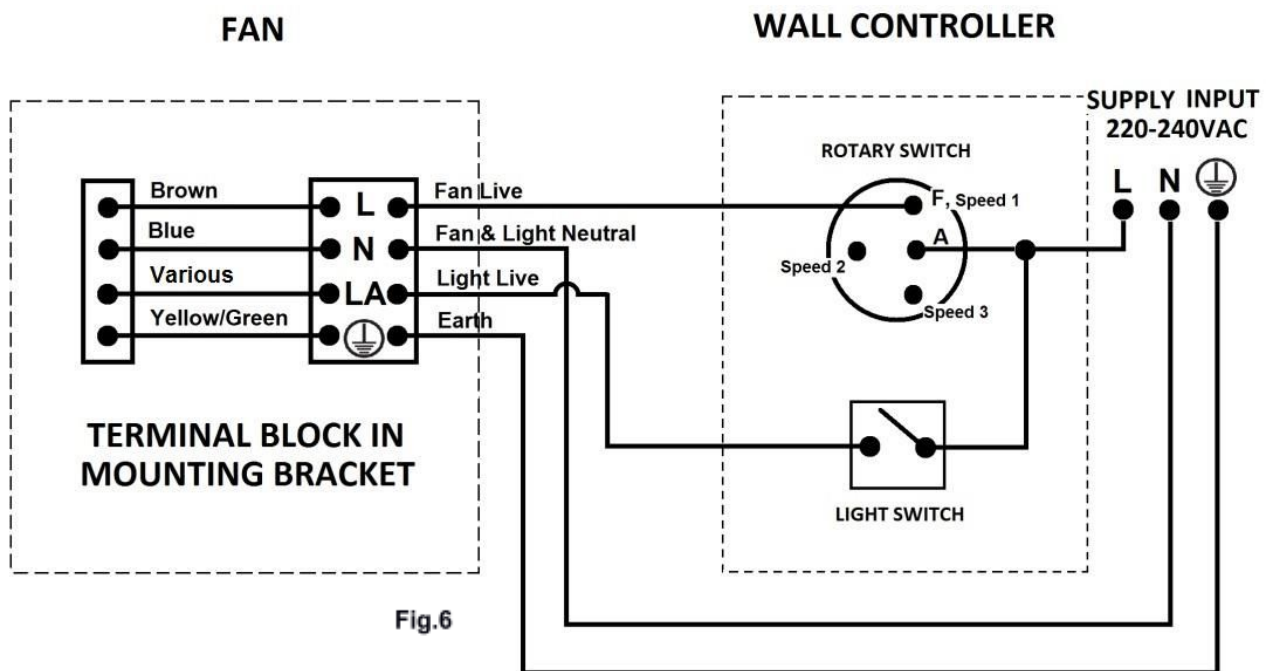
ELECTRICAL WIRING DIAGRAM

WARNING: For your safety all electrical connections must be undertaken by a licensed electrician.

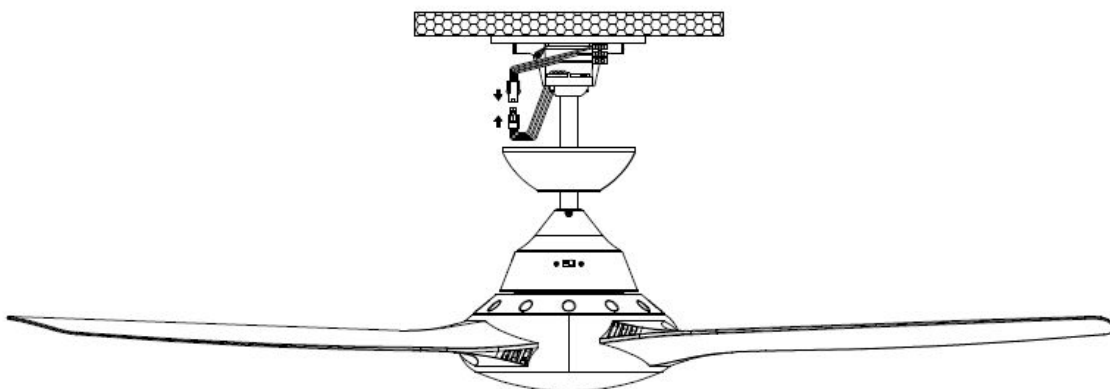
NOTE: An additional all pole disconnection must be incorporated in the fixed wiring in accordance with the wiring rules.

NOTE: Wiring diagram includes the light kit wiring. The light wiring diagram and switch is omitted when no light kit is used with the ceiling fan.

WIRING DIAGRAM: For installations using wall control only



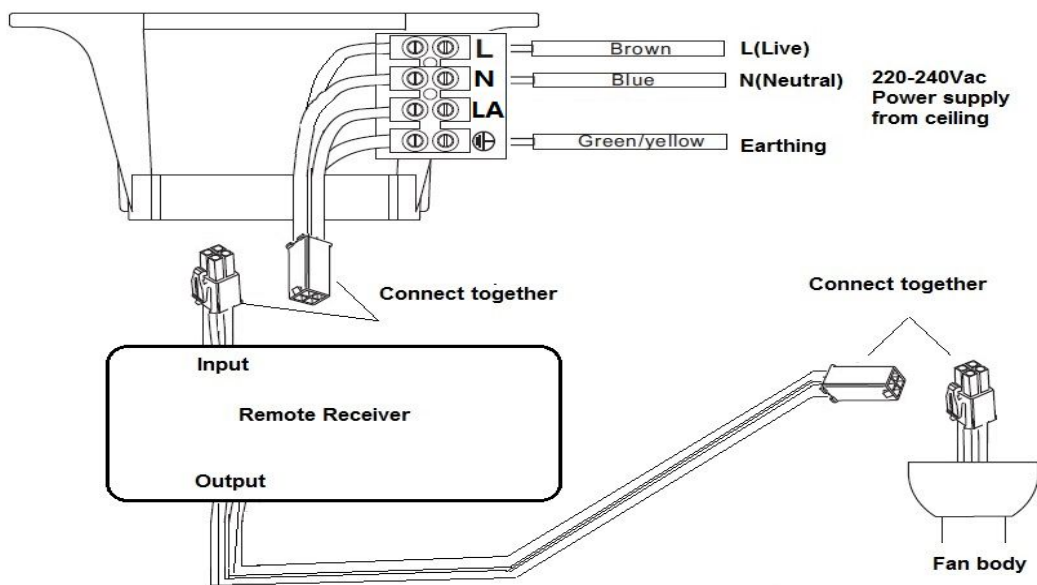
After completing the electrical connection at the mounting bracket terminal block, connect the ceiling fan by joining the male and female connector plugs.



WIRING DIAGRAM: WHEN USING REMOTE CONTROL (Remote sold separately)

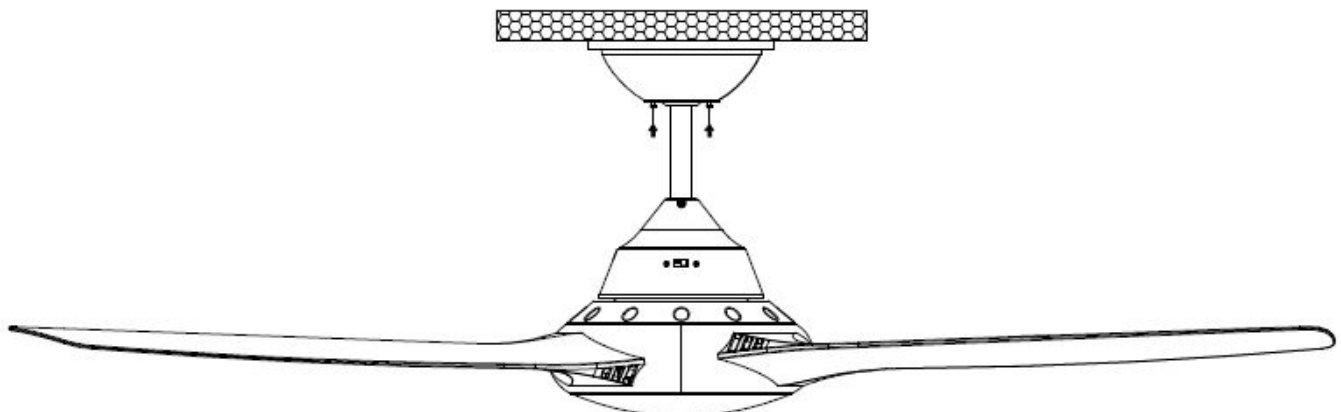
A single-pole switch must be placed in the same room as the fan as per local wiring regulations AS/NZ 3000:2018. Please follow the above wiring instructions before installation of remote kit. A remote kit does not substitute for a terminal switch and doing so will void warranty.

1/ Remote receiver installation.



FINISHING THE INSTALLATION

Cover the mounting bracket with the canopy. Ensure all electrical wiring is tucked inside the canopy and that the wires are not damaged during this step. Secure the canopy to the mounting bracket using the screws provided. Do not overtighten the screws as this will misalign the canopy potentially causing sounds. For best results leave screws about 4-5mm from mounting bracket and position canopy into key lock slot.



USING YOUR CEILING FAN

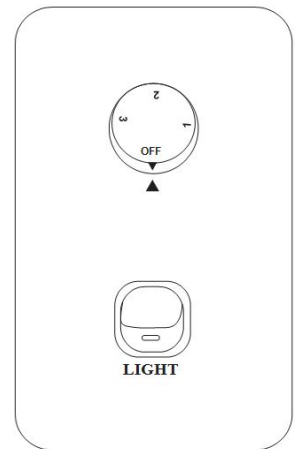
FAN WALL CONTROL

Turn on the power and check the operation of the fan.

- OFF Position - Fan off
- 3rd Position - Low fan speed
- 2nd Position - Medium fan speed
- 1st Position - High fan speed

LIGHT CONTROL

- Switch - ON/OFF

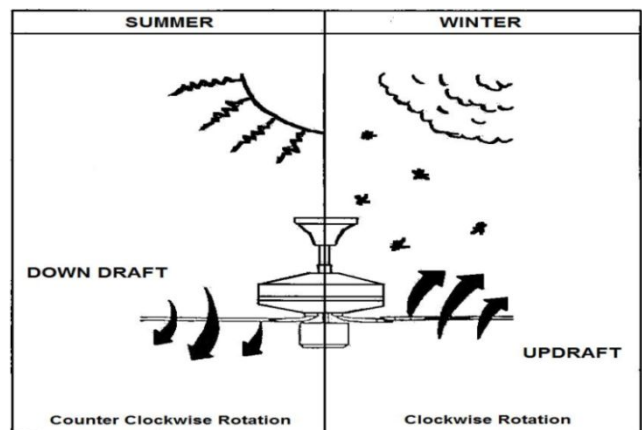
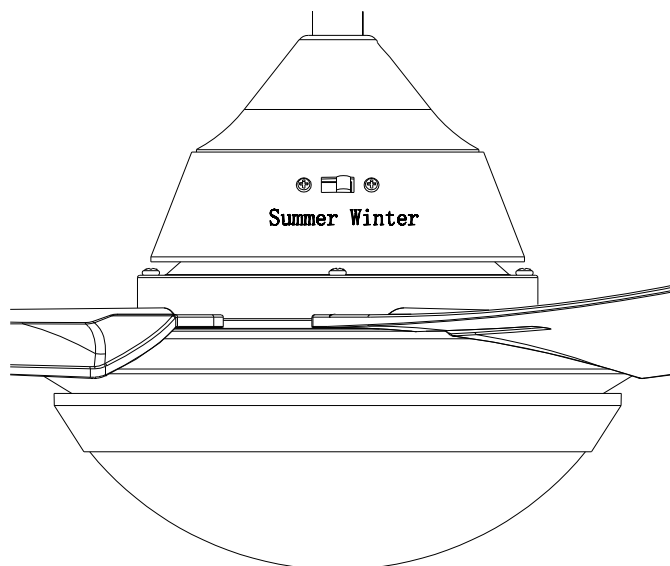


REVERSE FUNCTION

Your ceiling fan can operate either in fan mode or reverse fan mode.

SUMMER MODE: The reverse switch should be in the “left” (SUMMER) position to rotate the fan in an anticlockwise direction. The airflow will be directed downwards, for cooling in summer.

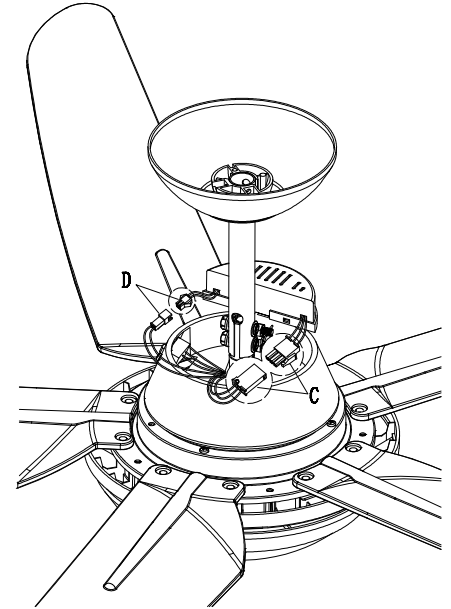
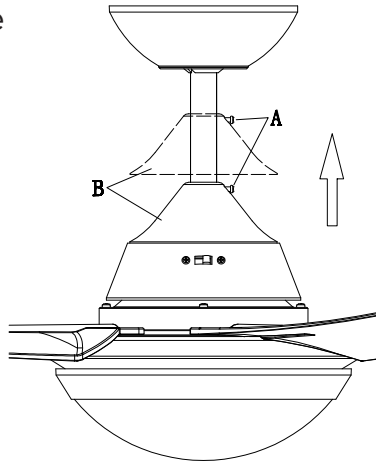
WINTER MODE: The reverse switch should be in the “right” (WINTER) position to rotate the fan in a clockwise direction. The airflow will be directed upwards, for energy conservation in winter.



REPLACING THE LED DRIVER (For models with light kit)

NOTE: Always turn OFF the power at the mains switch before attempting to replace the LED driver.

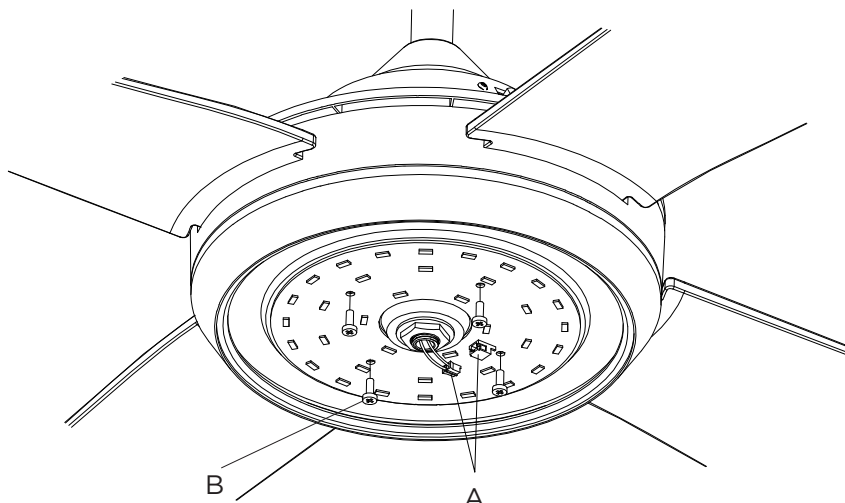
Loosen the screw (A) to lift the top housing (B). Replace the LED driver by unplugging the connectors (C, D). Reposition the top housing and secure it on the down rod by screw (A).



REPLACING THE LED LIGHT PLATE (For models with light kit)

NOTE: Always turn OFF the power at the mains switch before attempting to replace the LED LIGHT.

1. Applying pressure to two sides of plastic diffuser, push until parts of the edge of the diffuser lift from inner ring of fan light kit. Place a small tool preferably a flathead screwdriver under raised section and pull away as you push down on areas where clips are located.
2. Loosen the 4 rubber screws (B) and keep the screws. Remove the LED panel by unplugging the connectors (A).
3. Apply new LED light plate, re-tighten the 4 screws (B) and insert the plug back into its socket (A), then clip the plastic diffuser back in place.

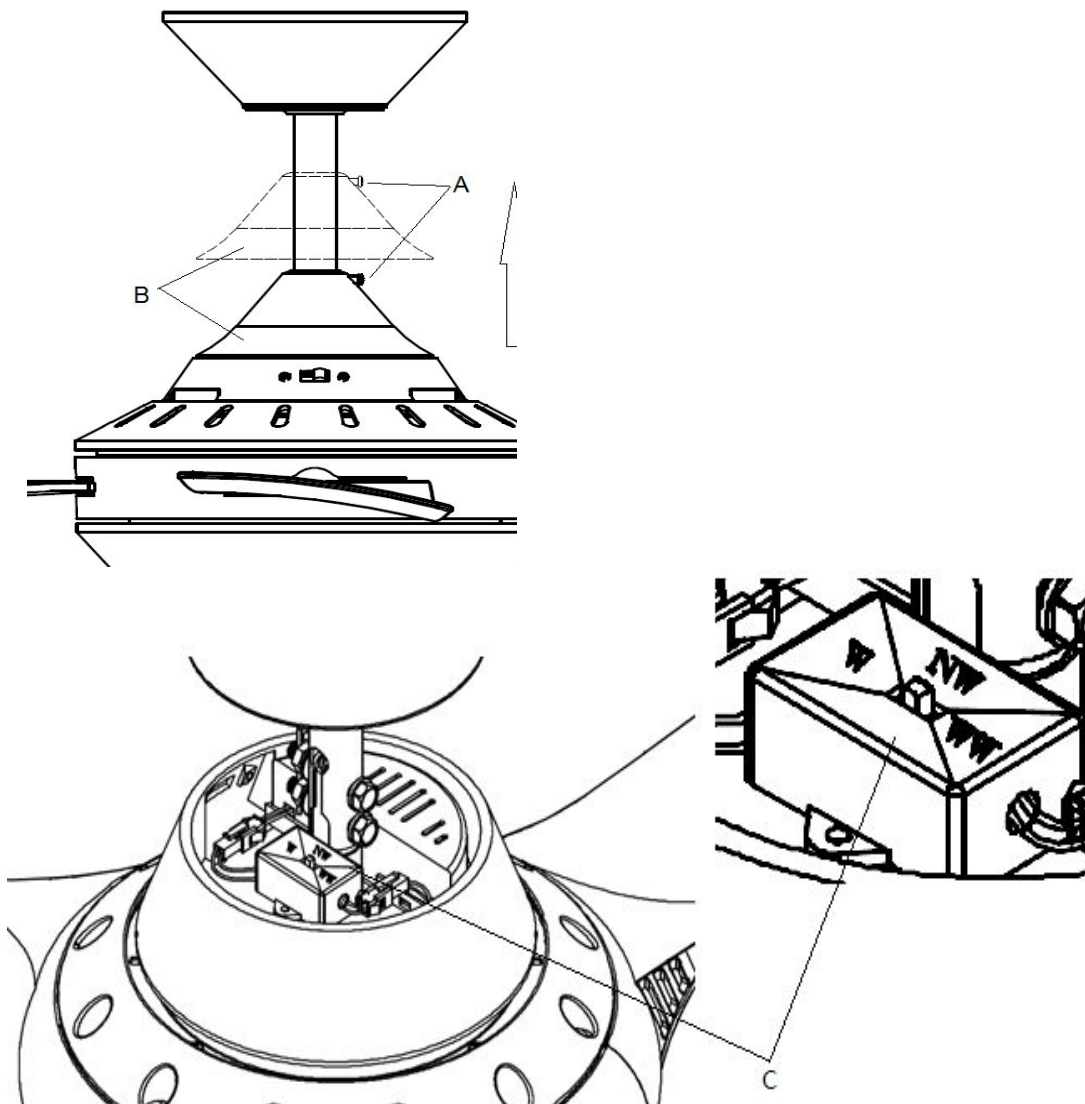


CHANGING THE COLOUR OF THE LED LIGHT (For models with light kit)

NOTE: Always turn OFF the power at the mains switch before attempting to change the Light output on your ceiling fan.

You are able to select/change the colour output of the LED light on your RANDLE Ceiling fan.

1. Loosen the screw (A) to lift the top housing (B)
2. Locate the switch (C) and select your desired colour choice
 - WW - 3000K Warm White - 1225 lumen
 - NW - 4000K Neutral White - 1450 lumen
 - W - 5700K Cool White - 1350 lumen
3. After selection, place the switch back inside safely, reposition the top housing (B) and secure it on the down rod by screw (A).
4. Turn mains switch back on and test.



AFTER INSTALLATION

WOBBLE:

NOTE: CEILING FANS TEND TO MOVE DURING OPERATION DUE TO THE FACT THAT THEY ARE MOUNTED ON A RUBBER GROMMET. IF THE FAN WAS MOUNTED RIGIDLY TO THE CEILING IT WILL CAUSE EXCESSIVE VIBRATION. MOVEMENT OF A FEW CENTIMETRES IS QUITE ACCEPTABLE AND DOES NOT SUGGEST ANY PROBLEM.

TO REDUCE THE FAN WOBBLE: PLEASE CHECK THAT ALL SCREWS WHICH FIX THE MOUNTING BRACKET AND DOWN ROD ARE SECURE AND BLADE SCREWS ARE FASTENED SECURELY.

NOTE: This fan has been precision balanced at the factory and may need re-balancing. (Balancing kit supplied can be used if required).

NOISE:

When it is quiet (especially at night) you may hear occasional small noises. Slight power fluctuations and frequency signals superimposed in the electricity for off-peak hot water control, may cause a change in fan motor noise. This is normal. Please note that this is not a product fault and as such is not covered under warranty – All electric motors are audible to some extent.

Please allow a 24-hour “breaking-in” period, most noises associated with a new fan disappear during this time.

CARE AND CLEANING:

- Every 6 months periodic cleaning of your ceiling fan is the only maintenance required. Use a soft brush or lint free cloth to avoid scratching the paint finish. Please turn off electricity power when you do so.
- Do not soak or immerse your ceiling fan in the water or other liquids. It could damage the motor or the blades and create the possibility of an electrical shock.
- Ensure that the fan does not come in contact with any organic solvents or cleaners.
- To clean the fan blade, wipe with only a damp clean cloth with NO organic solvents or cleaners.
- The motor has a permanently lubricated ball bearing so there is no need to oil.

NOTE: Always turn OFF the power at the mains switch before performing any maintenance or attempting to clean your fan.

TECHNICAL INFORMATION

CEILING FAN MODEL	RATED VOLTAGE	RATED POWER (MOTOR)	RATED POWER (LAMP)	NW
DKA210340	220-240V AC 50Hz	75W	N/A	5.2kg
DKA210342	220-240V AC 50Hz	75W	N/A	
DKA210495	220-240V AC 50Hz	75W	18W	6.3kg
DKA210496	220-240V AC 50Hz	75W	18W	

IMPORTANT FACTS

All electric motors, including fan motors make some noise and may feel hot if touched – this is NOT A FAULT. Ceiling fans tend to move during operation as they are not generally rigid-mounted. Rigid mounted ceiling fans generate excessive vibration (which leads to noise) and stress on their mountings.

Movement in a ceiling fan is not uncommon and does not suggest the fan will fall down.

Some fans wobble more than others, even in the same model.

Fan lights can rattle; if they are not supplied with a fan.

Fan Operation

A ceiling fan rotates much more slowly than an electric desk fan; it cools people effectively by introducing slow movement into the otherwise still, hot air of a room, inducing natural evaporative cooling. Fans never actually cool air, unlike air-conditioning equipment, but use significantly less power.

Normal Wear and Tear

Threaded components working slightly loose, or blade carriers becoming slightly bent due to vigorous cleaning or bumping can cause extra wobble and noise. This is not covered under warranty, but a little care and maintenance can reduce or prevent this problem.

Night Noises

This is the biggest cause of service calls, which are outside the manufacturer's warranty. If a fan has a fault, then it would be noticeable at ALL TIMES. Obviously when everything is quiet at night you will be more inclined to hear small noises, which may not be noticeable at other times. Even slight signals super imposed in your electricity supply for off peak hot water control may cause a change in the fan motor noise, which is deemed normal. Solar power systems will cause extra humming in motors. In both scenarios it is recommended that a filter be installed to eliminate these issues.

Dimming of LED light only (*Dimmers can NOT BE USED for the operation of the fan motor. This will instantly void any warranty provided*).

During testing, we found most LED dimmers worked well, but not all brands were necessarily tested. From time to time changes can be made to electronic accessories like dimmers and these can alter the performance. We always suggest thoroughly testing for optimum results.

WARRANTY INFORMATION

Important ceiling fan warranty information for owners and installers.

Our goods come with guarantees that cannot be excluded under Australian Consumer Law. You are entitled to a replacement or refund for a major fault and compensation for any other reasonably foreseeable loss or damage. You are also entitled to have the goods repaired or replaced if the goods fail to be of acceptable quality and the failure does not amount to a major failure.

This product is covered for six (6) years in total consisting of a two (2) year in-home warranty followed by a four (4) year parts only warranty. Please note that remote controls (if applicable) and other accessories are covered for one (1) year from the date of purchase.

What is an in-home warranty?

Deka branded ceiling fans offers a two (2) year in-home parts and labour warranty on ceiling fans installed within the coverage of our network of service agents and in cases where the product fails due to defective materials or workmanship.

This warranty does not cover installation faults, house wiring faults, loose blades or damage of any kind. In areas outside of the coverage of Deka service agents, Deka will reimburse a standard fee of \$88.00 (inc. GST) for consumers using their own electricians. Conditions apply and Deka support must be contacted PRIOR to organising your own electrician. Under no circumstances will reimbursements be paid without prior consent of Deka support.

Subject to your "Rights under Australian consumer law", but otherwise to the maximum extent permitted by law, the Deka warranty will NOT cover the below:

1. Where installation was not carried out by a licensed electrician or contractor.
2. Products not installed as per the instruction manual and in accordance to SAA and local authority regulations.
3. Defect, damage or failure resulting from misuse, accident, neglect, abuse, tampering, modifications or unauthorised repairs of any kind by any person.
4. Minor variations of speed may be evident even between same model of fans. No two fans run exactly the same, even across all speeds.
5. Fan "wobbles" - Any wobble is usually caused by the mounting to the ceiling not being adequate or mismatched or out of alignment blades. Blades should not be mixed from one fan to another as the blades sets are balanced during production. Refer to the User Manual for more information.
6. Defect, damage or failure resulting from any acts of God, including damages from lightning.
7. Defect, damage or failure resulting from power grid fluctuations or power surges.
8. Damage caused by alternate power supplies, e.g. Solar inverters etc.
9. Disposable accessories, e.g. Batteries or light globes (unless otherwise stated)
10. "Night noises" - intermittent humming or other influences from mains power delivery infrastructure - Refer Important Facts for further information.
11. Water damage
12. The cost of renting, obtaining and using special equipment (i.e. scaffolding, scissor lifts etc) for accessing products installed at a height of greater than 3.5 metres.
13. Liability for consequential loss or claims for damage to furniture, carpets, walls, ceilings, foundations or and other event either directly or indirectly resulting from a faulty product or accessory to the maximum extent permitted by law.

After reading the above information:

1. Should you consider there is a fault relating to the installation, please contact the original installer to rectify.
2. Should you consider that there is a manufacturer's defect with the fan, please go to www.dekafans.com.au and click on Warranty. Fully complete and supply all requested information for an expedited warranty process.

Warranty is provided by Repelec (Aust)
16 Rayben Street Glendenning NSW 2761
Phone : 1300 555 586
Email : sales@repelec.com.au
Website : www.repelec.com.au



This warranty is valid
in Australia only.